

## SFP-10-CPxxM

### SFP+ Direct Attach Passive Copper Cables , 1m、 3m、 5m Reach

#### Features

- ☒ Support for multi-gigabit data rates up to 10.5Gbps
- ☒ Data rates backward compatible to 1Gbps
- ☒ Hot-pluggable SFP 20PIN footprint
- ☒ I/O Connector designed for high speed differential signal applications
- ☒ Improved Pluggable FormFactor(IPF) compliant for enhanced EMI/EMC performance
- ☒ Compatible to SFP+ MSA
- ☒ Temperature Range: 0~ 70 °C
- ☒ RoHS Compatible

#### Applications

- ☒ High capacity I/O in Storage Area Networks, Network Attached Storage, and Storage Servers
- ☒ Switched fabric I/O such as ultra high bandwidth switches and routers
- ☒ Data center cabling infrastructure
- ☒ High density connections between networking equipment

#### Product Description

The SFP+ passive cable assemblies are high performance, cost effective I/O solutions for 10G Ethernet and 10G Fiber Channel applications. SFP+ copper modules allow hardware manufactures to achieve high port density, configurability and utilization at a very low cast and reduced power budget. The high speed cable assemblies meet and exceed Gigabit Ethernet and Fiber Channel industry standard requirements for performance and reliability.

#### Recommended Operating Conditions

Parameter	Symbol	Min	Typical	Max	Unit
Storage Ambient Temperature		-40		+85	°C
Operating Case Temperature	Tc	0		+70	°C

## Systems

Performance	Media
10.5 Gpbs line speed, full duplex Bit error rate: better than 10E-12	Hot-pluggable, industry-standard Small Form-Factor Pluggable(SFP+) copper cable, available as 1m,3m or 5m.

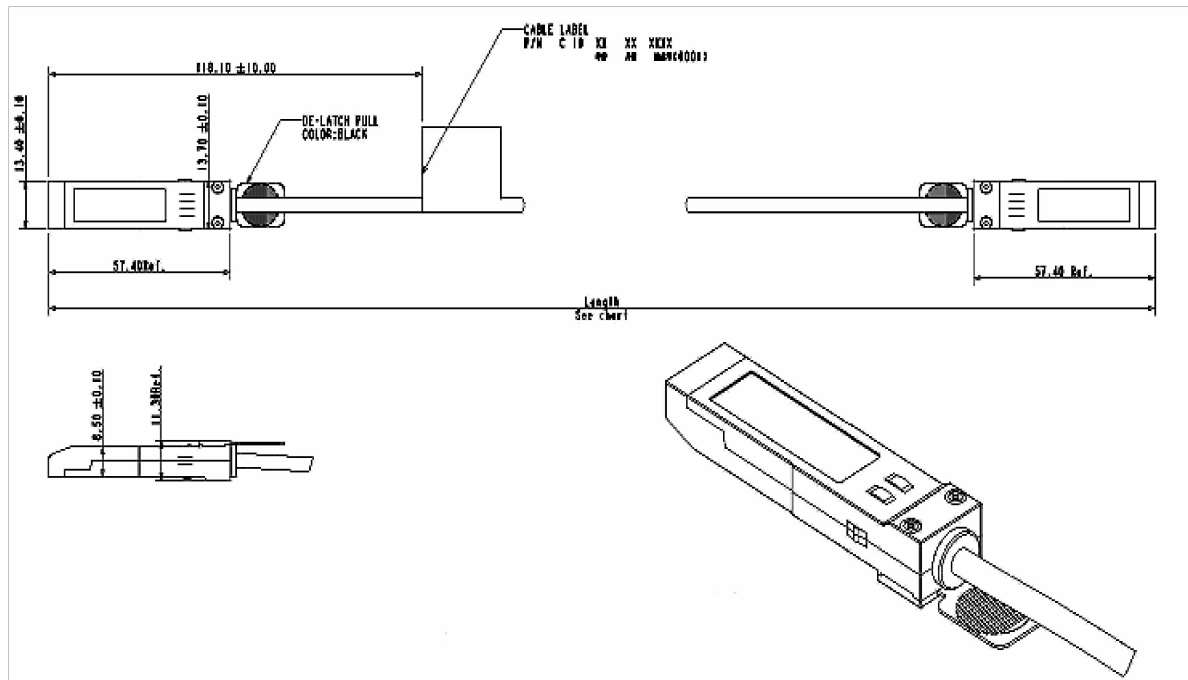
## Pin Descriptions

Pin	Logic	Symbol	Name/Description	Notes
1		VeeT	Transmitter Ground	
2	LV-TTL-O	TX_Fault	N/A	1
3	LV-TTL-I	TX_DIS	Transmitter Disable	2
4	LV-TTL-I/O	SDA	Tow Wire Serial Data	
5	LV-TTL-I	SCL	Tow Wire Serial Clock	
6		MOD_DEF0	Module present, connect to VeeT	
7	LV-TTL-I	RS0	N/A	1
8	LV-TTL-O	LOS	LOS of Signal	2
9	LV-TTL-I	RS1	N/A	1
10		VeeR	Reciever Ground	
11		VeeR	Reciever Ground	
12	CML-O	RD-	Reciever Data Inverted	
13	CML-O	RD+	Reciever Data Non-Inverted	
14		VeeR	Reciever Ground	
15		VccR	Reciever Supply 3.3V	
16		VccT	Transmitter Supply 3.3V	
17		VeeT	Transmitter Ground	
18	CML-I	TD+	Transmitter Data Non-Inverted	
19	CML_I	TD-	Transmitter Data Inverted	
20		VeeT	Transmitter Ground	

1. Signals not supported in SFP+ Copper pulled-down to VeeT with 30K ohms resistor

2. Passive cable assemblies do not support LOS and TX\_DIS

## Mechanical Dimensions



## Ordering information

Part Number	Product Description
SFP-10G-CP3001M	SFP+ Direct Attach Passive Cable (10GSFP+Cu), 1m, AWG:30, 0°C ~ +70°C
SFP-10G-CP2603M	SFP+ Direct Attach Passive Cable (10GSFP+Cu), 3m, AWG:26, 0°C ~ +70°C
SFP-10G-CP2405M	SFP+ Direct Attach Passive Cable (10GSFP+Cu), 5m, AWG:24, 0°C ~ +70°C

**Note: You can be customized diameter and distance.**